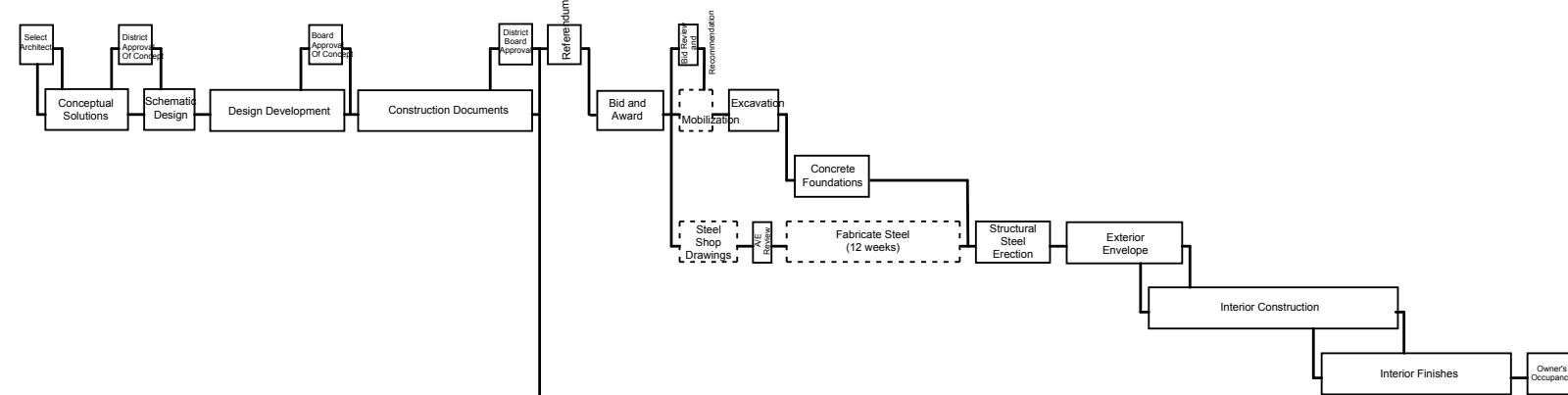
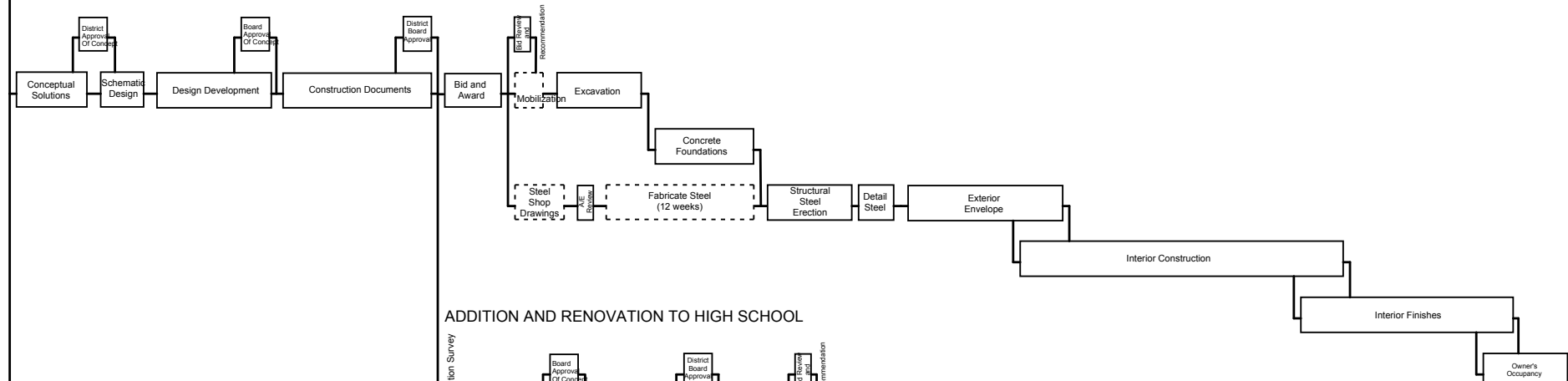


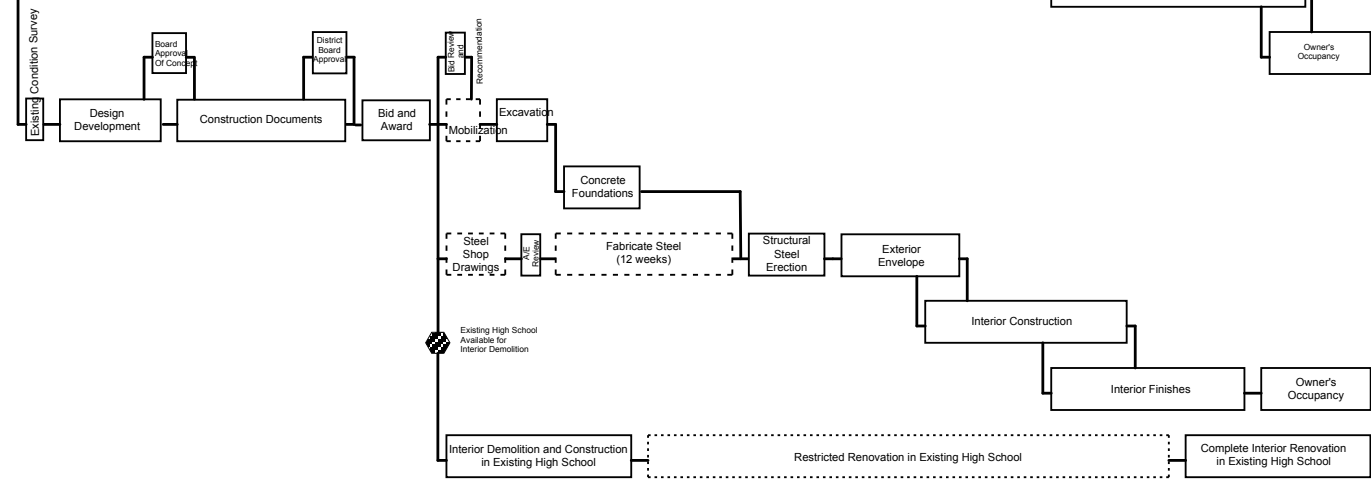
600 STUDENT ELEMENTARY SCHOOL



1,200 STUDENT MIDDLE SCHOOL



ADDITION AND RENOVATION TO HIGH SCHOOL



MISCELLANEOUS REPAIRS & RENOVATIONS



**STR CONSULTING** LLC

Construction Consultants

PROJECT

HINSDALE, ILLINOIS

PROJECT SCHEDULE

SCOPE DOCUMENT

THIS DRAWING INDICATES THE GENERAL SCOPE OF THE PROJECT IN TERMS OF ARCHITECTURAL DESIGN CONCEPT, THE DIMENSIONS OF THE BUILDING, THE MAJOR ARCHITECTURAL ELEMENTS AND THE TYPE OF STRUCTURAL, MECHANICAL, AND ELECTRICAL SYSTEMS. AS SCOPE DOCUMENTS, THE DRAWINGS DO NOT NECESSARILY INDICATE OR DESCRIBE ALL WORK REQUIRED FOR FULL PERFORMANCE AND COMPLETION OF THE REQUIREMENTS OF THE CONSTRUCTION DOCUMENTS. ON THE BASIS OF THE GENERAL SCOPE INDICATED OR DESCRIBED, THE CONTRACTOR SHALL FURNISH ALL ITEMS REQUIRED FOR THE PROPER EXECUTION AND COMPLETION OF THE WORK.

REVISIONS	NUMBER	DATE	COMMENTS

DRAWING TITLE

PROJECT NUMBER SEAL

SCALE  
AS NOTED  
PHASE

ISSUE DATE SHEET NUMBER  
AUGUST 3, 2004 SCH-1